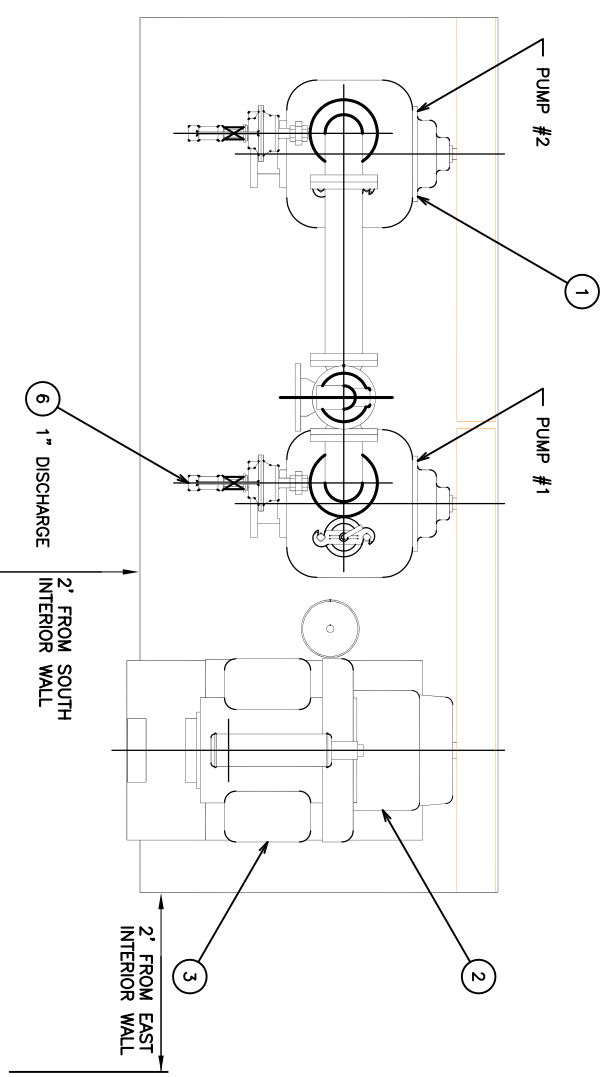
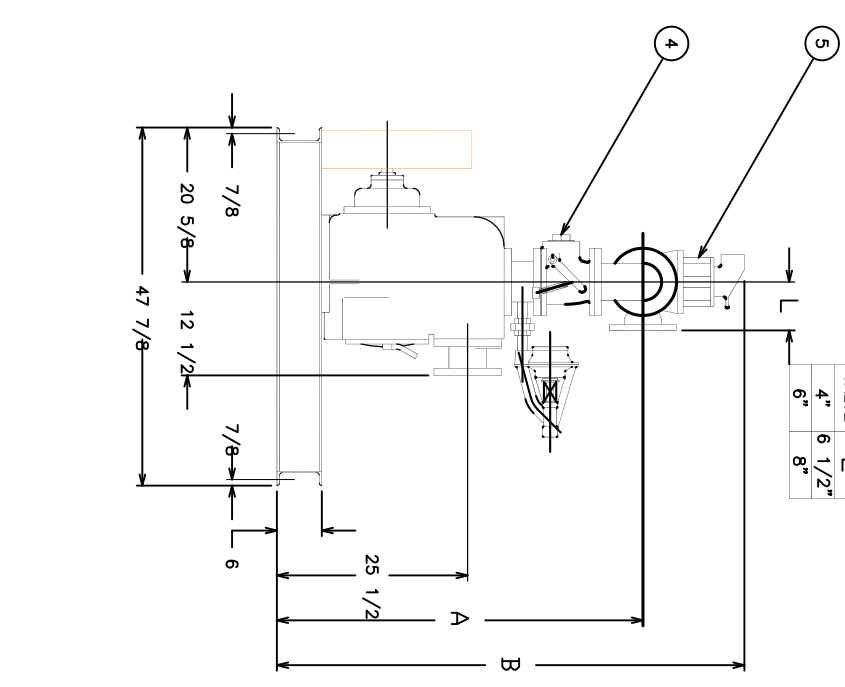


PROJECT NO.	105710	FILE NAME	PLAY--McCAR
DR. BY	JAH	CHKD. BY	NLT
APPD. BY		DATE	3/03
1. RECORD DRAWING		S.R.	W.C.
REV.	DESCRIPTION	DR. BY	CHKD. BY

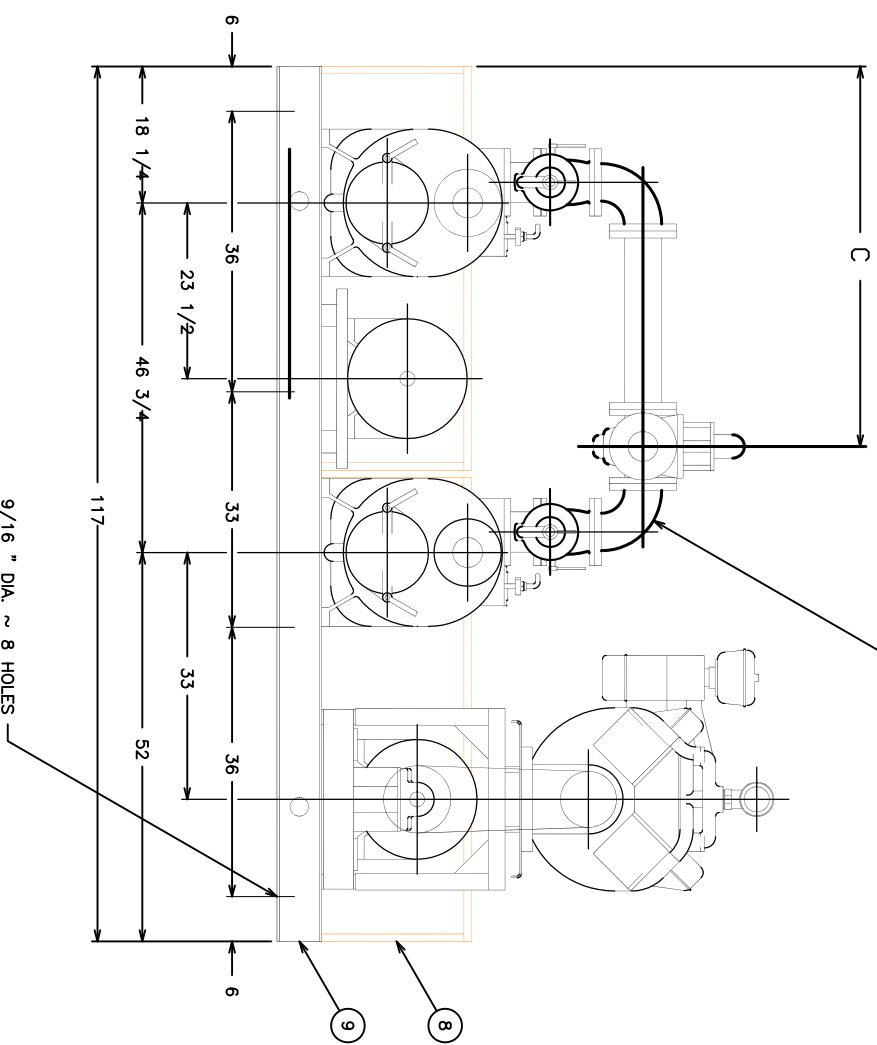
ITEM	DESCRIPTION	MATERIAL & SIZE
1	PUMP	CAST IRON T4A-B
2	MOTOR	CAST IRON
3	ENGINE (WISCONSIN) MODEL	CAST IRON
4	DISCHARGE CHECK VALVE	CAST IRON
5	DISCHARGE PLUG VALVE	CAST IRON 3-WAY
6	AIR RELEASE VALVE	CAST IRON 1" (SHIPPED LOOSE)
7	DISCHARGE ELBOW 90°	CAST IRON
8	BELT GUARD ASSY	STEEL
9	PUMP & MOTOR BASE ASSY	STEEL



VALVE	L
4"	6 1/2"
6"	8"



CENTER DISCHARGE			
PUMPING SUCT. DISCH.	HDR.	A	B
4"	4"	49"	62 5/8"
4"	4"	50 1/2"	65 3/8"
4"	6"	63 3/8"	78 1/4"
4"	6"		48 3/8"



STANDBY PUMP UNIT
RIGHT HAND DRIVE UNIT
T4A-B, 4" X 4" X 4"
AS SHOWN

RECORD DRAWING
I HEREBY CERTIFY THAT TO THE BEST OF MY KNOWLEDGE, BASED UPON CONSTRUCTION RECORDS PROVIDED BY THE RESIDENT, ENGINEER AND THE CONTRACTOR, ALL WORK SHOWN ON THIS DRAWING HAS BEEN COMPLETED AS SHOWN.
HOYLE, TANNER & ASSOCIATES, INC.

NOTE:

ALL PROJECT REQUIREMENTS AS SET FORTH IN THIS SHEET HAVE BEEN COMPLIED WITH DURING THE COURSE OF CONSTRUCTION. ALL NOTE WORDING CONTAINED HEREON IS UNDERSTOOD TO BE PAST TENSE.

SCALE: 1" = 1'-0"

CHERRY VALLEY SEWER DISTRICT
LEICESTER, MASSACHUSETTS
PLAN AND PROFILE
McCARTHY AVE.
PUMP LAYOUT

HTA Hoyle, Tanner & Associates, Inc.
150 Dow Street • Manchester • New Hampshire 03101
Consulting Engineers

SCALE: AS SHOWN DATE: FEB. 2002 DES. BY JAH DR. BY CAB CHKD. BY NLT DO NOT SCALE DRAWING