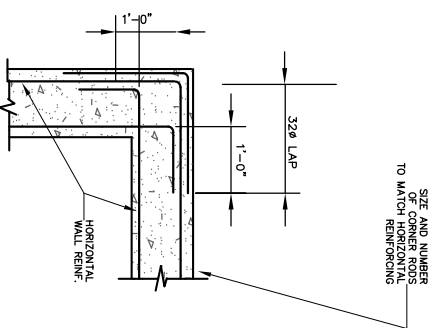
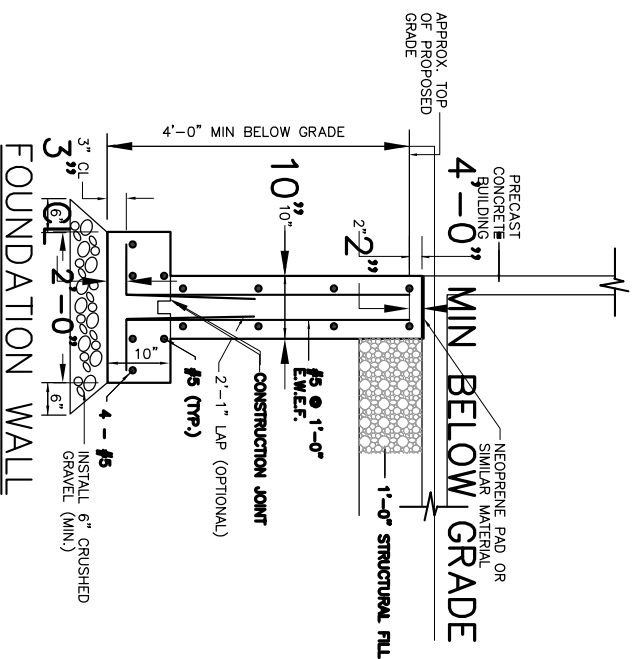


**FOUNDATION WALL AT STORAGE TANK DETAIL**  
NOT TO SCALE



**FOUNDATION WALL CORNER DETAIL**  
SCALE: 1/8"=1'-0"



TO BE CONSTRUCTED UNDER BUILDING PERIMETER EXCEPT FOR WET WELL.

**CONCRETE AND REINFORCING STEEL TRADE NOTES**

- C-1. THE CONTRACTOR WILL NOTIFY THE ENGINEER A MINIMUM OF 24 HOURS IN ADVANCE OF ALL CONCRETE OPERATIONS.
- C-2. ALL CONCRETE WORK SHALL COMPLY WITH THE LATEST A.C.I. SPECIFICATIONS.
- C-3. ALL CONCRETE SHALL HAVE A MINIMUM COMPRESSIVE STRENGTH OF 4,000 PSI AT 28 DAYS.
- C-4. ALL REINFORCED STEEL SHALL CONFORM TO ASTM A615 GRADE 60 AND SHALL BE DETAILED, FABRICATED AND INSTALLED IN ACCORDANCE WITH THE LATEST A.C.I. SPECIFICATIONS.
- C-5. MAXIMUM ALLOWABLE SLUMP OF CONCRETE SHALL NOT EXCEED 4".
- C-6. ALL CONCRETE SHALL BE AIR-ENTRAINED A MINIMUM OF 6%.
- C-7. ALL HORIZONTAL REINFORCING STEEL SHALL BE CONTINUOUS. LAP ALL SPLICES 32 DIAMETERS UNLESS OTHERWISE NOTED. PROVIDE CORNER RODS.
- C-8. PROVIDE A CLEAR COVER FROM REINFORCING STEEL TO ADJACENT CONCRETE SURFACES AS FOLLOWS:
  - CONCRETE CAST AGAINST AND PERMANENTLY EXPOSED TO EARTH = 3"
  - CONCRETE EXPOSED TO EARTH OR WEATHER = 1-1/2" (EXCEPT 2" AT #6 AND LARGER)
  - THESE DIMENSIONS SHALL BE CONSIDERED ACTUAL AND ARE NOT TO BE ADJUSTED IN EITHER DIRECTION.
- C-9. SUBMIT REINFORCING SHOP DRAWINGS FOR REVIEW BY THE ENGINEER.
- C-10. FOR CONSTRUCTION DURING COLD WEATHER, ALL CONCRETE WILL REQUIRE PROTECTION FROM FREEZING TEMPERATURES IN ACCORDANCE WITH ACI 306.
- C-11. FOR CONSTRUCTION DURING HOT WEATHER, ALL CONCRETE WILL REQUIRE PROTECTION FROM HIGH TEMPERATURES IN ACCORDANCE WITH ACI 305.
- C-12. FIELD FABRICATION OR CUTTING OF REINFORCING STEEL WILL NOT BE PERMITTED WITHOUT THE APPROVAL OF THE ENGINEER.

**FOUNDATION TRADE NOTES**

- F-1. ALL STRUCTURES SHALL BEAR ON 1'-0" MINIMUM OF STRUCTURAL FILL AND HAVING A MINIMUM BEARING CAPACITY OF 2,000 POUNDS PER SQUARE FOOT (PSF). FOLLOW ALL PRECAST CONCRETE BUILDING MANUFACTURERS' RECOMMENDATIONS FOR FILL BENEATH THE BUILDING. ADDITIONAL FILL OR VAPOR BARRIER MAY BE REQUIRED.
- F-2. THE BOTTOM ELEVATION OF FOOTINGS SHALL BE A MINIMUM OF 4'-0" BELOW FINISHED GRADE. LOWER FOOTINGS AS REQUIRED TO REACH GOOD BEARING.
- F-3. ALL DELETERIOUS MATERIAL, SUCH AS ROOTS, ORGANIC SOILS, SILTS AND CLAY, SHALL BE REMOVED FROM THE FOOTING BEARING AREA. Voids SHALL BE FILLED WITH WELL GRADED STRUCTURAL FILL COMPACTED TO 95% MODIFIED PROCTOR PRIOR TO FORMING FOOTINGS.
- F-4. THE BOTTOM OF EXCAVATIONS SHALL BE THOROUGHLY COMPACTED TO 95% OF MODIFIED PROCTOR PRIOR TO FORMING FOOTINGS.
- F-5. ALL BACKFILL SHALL BE WELL GRADED GRAVEL WHICH SHALL BE THOROUGHLY COMPACTED IN 6" LAYERS TO 95% OF MODIFIED PROCTOR. ON-SITE MATERIAL MAY BE USED IF ACCEPTABLE TO THE ENGINEER.
- F-6. ALL CONCRETE SHALL BE PLACED IN DRY EXCAVATIONS. PUMP AWAY GROUNDWATER AS REQUIRED.

**'RECORD DRAWING'**

I HEREBY CERTIFY THAT TO THE BEST OF MY KNOWLEDGE, BASED ON THE INFORMATION PROVIDED BY THE DESIGNER, ENGINEER AND THE CONTRACTOR, ALL WORK SHOWN ON THIS DRAWING HAS BEEN COMPLETED AS SHOWN.

HOYLE, TANNER & ASSOCIATES, INC.

**NOTE:**

ALL PROJECT REQUIREMENTS AS SET FORTH ON THIS SHEET HAVE BEEN COMPLIED WITH DURING THE COURSE OF CONSTRUCTION. ALL NOTE WORKING COMPANED HEREON IS UNDERSTOOD TO BE FAST TENSEL.

PROJECT NO.  
105710

FILE NAME  
CVSDD01

DO NOT SCALE DRAWING

REV.	DESCRIPTION	DR. BY	CHKD. BY	APPD. BY	DATE
1.	RECORD DRAWING	S.R.	W.C.	W.C.	3/03

**HTA** Hoyle, Tanner & Associates, Inc.  
150 Dow Street • Manchester • New Hampshire 03101  
Consulting Engineers

SCALE: AS SHOWN	DATE: FEB. 2002	DES. BY JAH	DR. BY CAB	CHKD. BY NLT
-----------------	-----------------	----------------	---------------	-----------------

CHERRY VALLEY SEWER DISTRICT  
LEICESTER, MASSACHUSETTS  
PLAN AND PROFILE

**TOWTAID PARK PUMP STA.**  
FOUNDATION DETAILS

DRAWING NO.

**D-1**